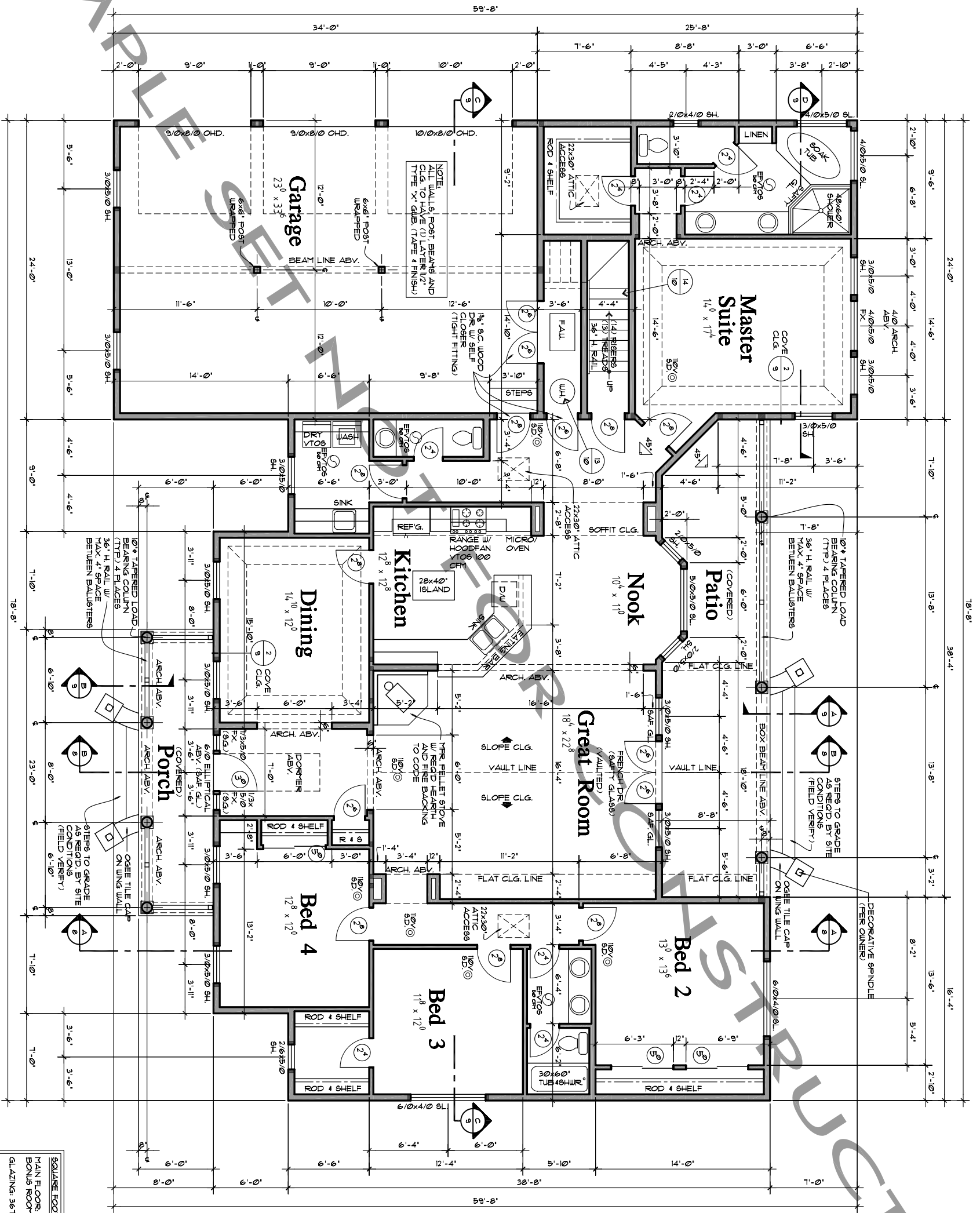


SAMPLE SET



NOTE:
ALL WALLS, POST BEAMS AND CLG. TO HAVE (1) LAYER 1/2" TYPE 'X' GIBB. (TAPE & FINISH)

MAIN FLOOR PLAN

SCALE: 1/4" = 1'-0"

SQUARE FOOTAGE:	
MAIN FLOOR:	2666*
BONUS ROOM:	518*
GLAZING 36" T _{max} :	12%
GARAGE:	806*
COVERED PORCH:	444*

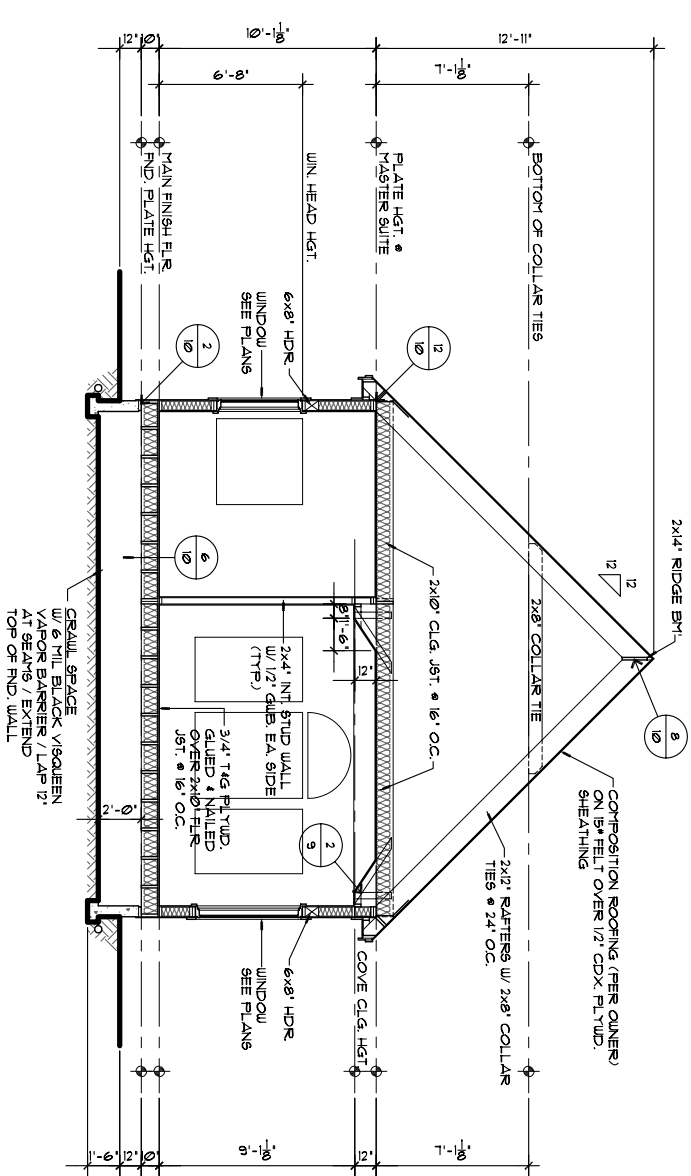
SHEET 4 OF 10	DATE	REVISIONS
	CHECKED BY: DAW	DRAWN BY: CFB

Bruinier & associates, inc.
 building designers
 503-246-3022
 www.bruinier.com

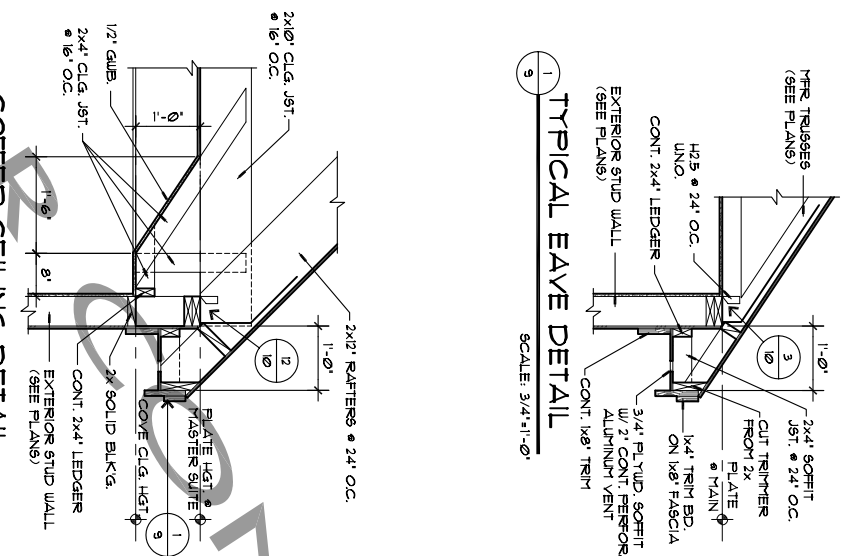
1304 SW BERTHA BLVD.
 PORTLAND OREGON 97219

These plans are limited to one construction only by the purchaser. The reuse, or reproduction, by any means of these plans, ideas, designs or drafted works, without the express written permission from L.M. Bruinier & Assoc. Inc. or Oregon Corporation, is strictly prohibited by law, under the FEDERAL COPYRIGHT ACT TITLE XVII.

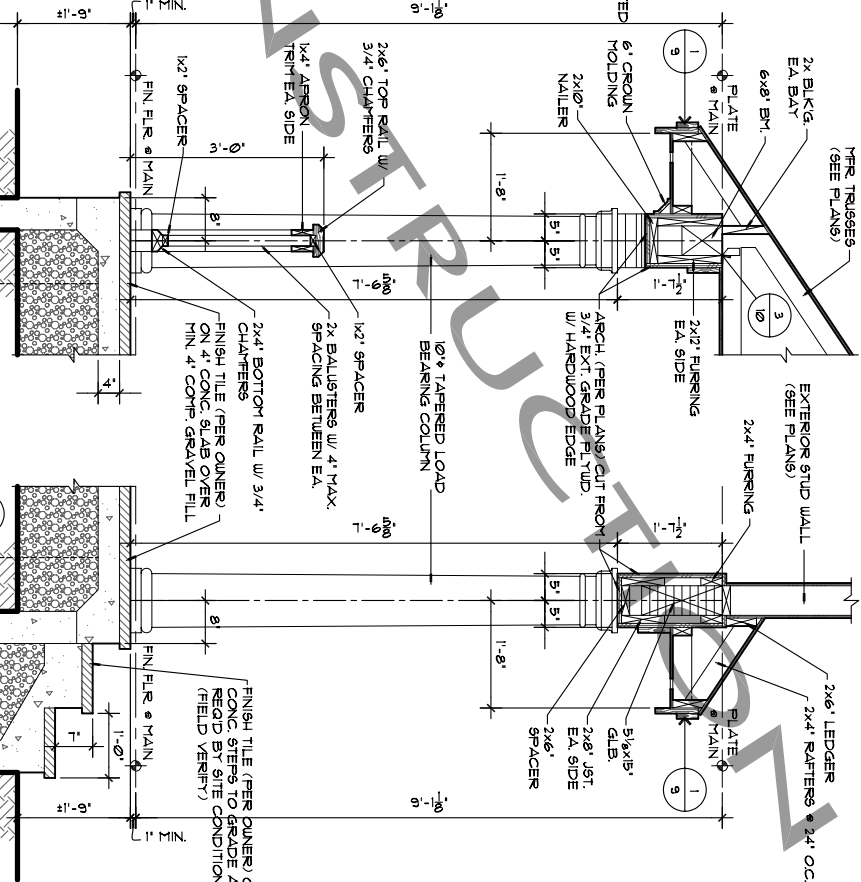
WRITTEN DIMENSIONS ON THESE DRAWINGS SHALL HAVE PRECEDENCE OVER SCALED DIMENSIONS. CONTRACTORS SHALL VERIFY, AND BE RESPONSIBLE FOR ALL DIMENSIONS AND CONDITIONS ON THE JOB AND THIS OFFICE MUST BE NOTIFIED OF ANY VARIATIONS FROM THE DIMENSIONS AND CONDITIONS SHOWN BY THESE DRAWINGS.



BUILDING SECTION 'D'
SCALE: 1/4"=1'-0"

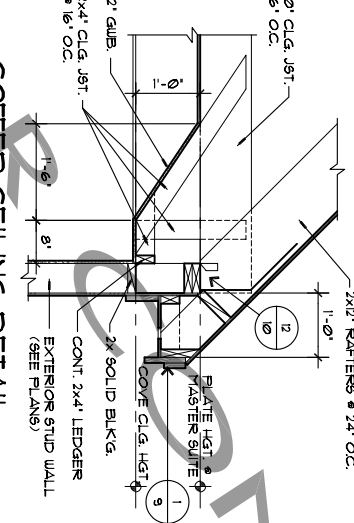


TYPICAL EAVE DETAIL
SCALE: 3/4"=1'-0"

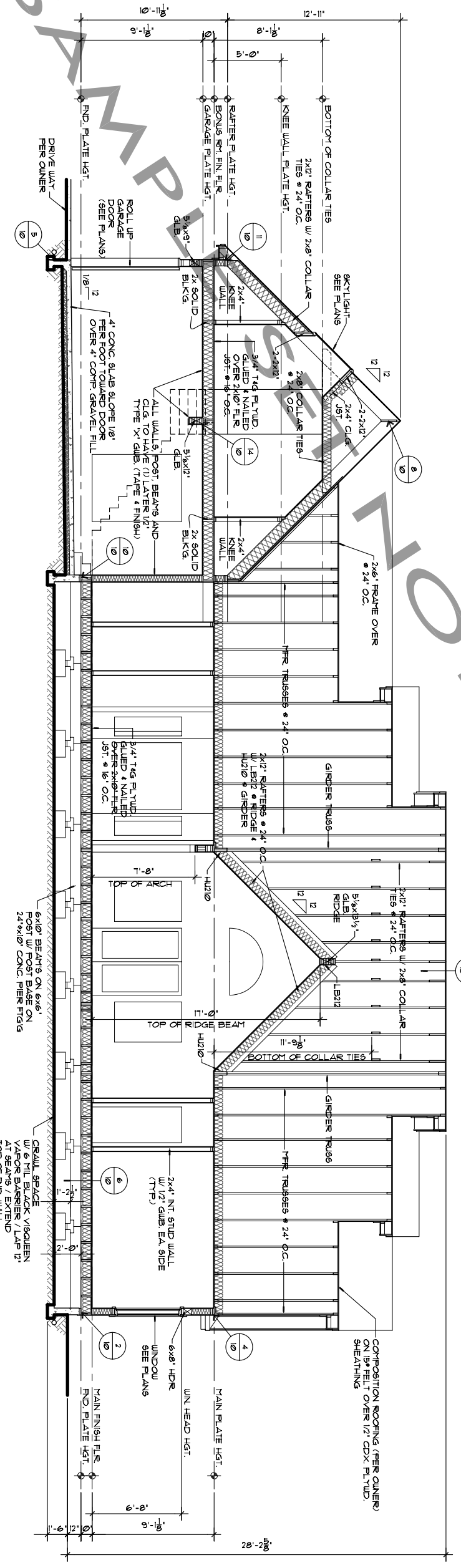


COLUMN SECTION
SCALE: 3/4"=1'-0"

COLUMN SECTION
SCALE: 3/4"=1'-0"



COFFER CEILING DETAIL
SCALE: 3/4"=1'-0"



BUILDING SECTION 'C'
SCALE: 1/4"=1'-0"

<p>9 OF 10 SHEET</p>	<p>REVISIONS</p>
	<p>BRUINIER & ASSOCIATES, INC.</p>
<p>DRAWN BY: CFB</p>	<p>building designers 503-246-3022 www.bruinier.com</p>
<p>CHECKED BY: DAW</p>	<p>1304 SW BERTHA BLVD. PORTLAND OREGON 97219</p>
<p>DATE:</p>	

These plans are limited to one construction only by the purchaser. The reuse, or reproduction, by any means of these plans, ideas, designs or drafted works, without the express written permission from Bruinier & Associates, Inc. or Oregon Corporation, is strictly prohibited by law, under the FEDERAL COPYRIGHT ACT TITLE XVII.

WRITTEN DIMENSIONS ON THESE DRAWINGS SHALL HAVE PRECEDENCE OVER SCALED DIMENSIONS. CONTRACTORS SHALL VERIFY, AND BE RESPONSIBLE FOR ALL DIMENSIONS AND CONDITIONS ON THE JOB. THIS OFFICE MUST BE NOTIFIED OF ANY VARIATIONS FROM THE DIMENSIONS AND CONDITIONS SHOWN BY THESE DRAWINGS.